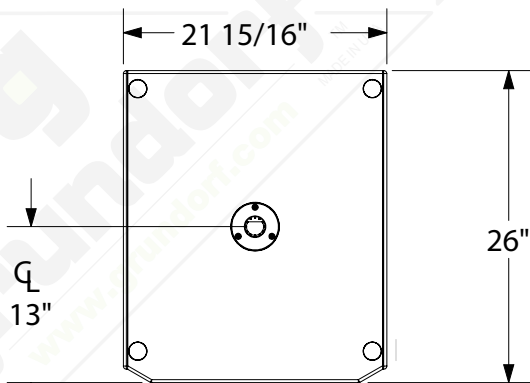
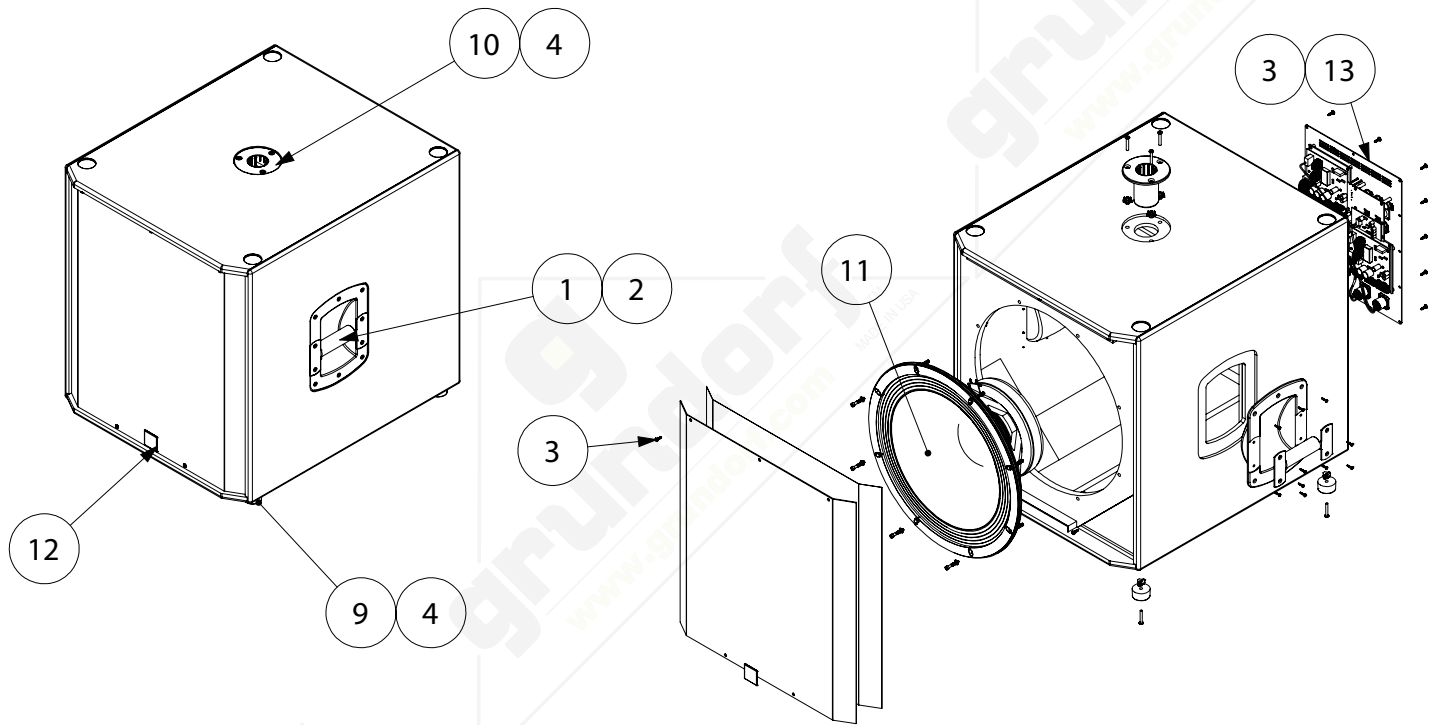
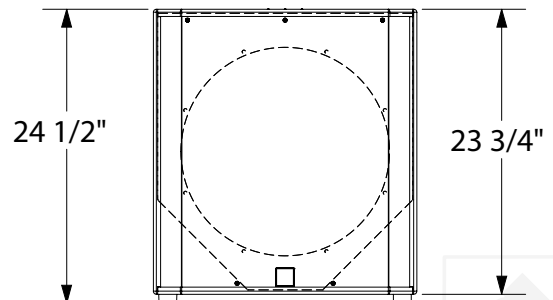


#	QTY.	PART NUMBER	DESCRIPTION
1	2	31-026	HANDLE - STEEL BAR, PLASTIC DISH, BLACK
2	12	36-006	FASTENER-5x5/8 PH FL WS/BK OX
3	17	36-010	FASTENER-8x5/8 PH TR/BK OX
4	7	36-016	FASTENER - 10-24 X 1.25 PH PAN HD MS BKOX
5	15	36-017	FASTENER - TEE NUT 10-24 X .38 HP DB ZN HF
6	8	36-023	FASTENER-FLATWASHER BK OX
7	8	36-028	FASTENER - 10-24 X 1.25 SHCS
8	8	36-033	FASTENER - DRYWALL SCREW 6 X 1
9	4	40-001	FOOT - RUBBER/1-1/2"
10	1	45-003	POLEMOUNT - METAL, 35MM 1.38"
11	1	51-082	LOUDSPEAKER - 18"/600 W/8 OHM
12	1	52-060	BADGE - GT SMALL BLACK
13	1	59-009	AMP/DSP MODULE - 600W



Top View



Front View